

### SPECIFICATIONS

<b>Capacity<sup>(1)</sup></b>	95 ppd	
<b>Energy factor<sup>(1)</sup></b>	2.2 L/kWh	
<b>Airflow @ varying E.S.P. (external static pressure - dry coil)</b>		
0.0" w.c.	265 CFM	
0.2" w.c.	230 CFM	
0.4" w.c.	200 CFM	
<b>Voltage, Phase, Frequency</b>	120VAC, 1 Phase, 60 Hz	
<b>Current draw<sup>(1)</sup></b>	8.0 Amps	
<b>Noise</b>	54 dBA ducted	60 dBA unducted
<b>Dimensions: (cabinet only)<sup>(2)</sup></b>	Width: 12½" Height: 14½" Length: 27½"	
<b>Weight</b>	70 lbs.	
<b>Inlet air operating conditions during:</b>		
<b>Dehumidification:</b>	50°F-104°F, 40°F dew point min.	
<b>Ventilation:</b>	40°F-140°F, 0%-99%RH (non-condensing)	

<sup>(1)</sup>Rated capacity and energy factor test done and current draw measured in accordance with AHAM DH-1 2008 at 80°F/60%RH inlet air at 0.0 ESP. <sup>(2)</sup>Height does not include adjustable feet. The width excludes the filter doors and length excludes the duct collars.

### FEATURES

<b>Control<sup>(3)</sup></b>	Built-in digital control with display
<b>Control mounting option</b>	Field interchangeable from top to front
<b>Cabinet insulation</b>	½" EPS
<b>Air discharge orientation</b>	Top or end
<b>Inlet/Outlet duct collars</b>	10" dia.
<b>Backdraft damper at outlet</b>	Included
<b>Filter</b>	Washable MERV 8
<b>Refrigerant</b>	R410A
<b>Coil type</b>	E-coated
<b>Power cord length</b>	8 ft.
<b>Discharge air temperature rise</b>	10°F-30°F
<b>Drain connection</b>	¾" MNPT Threaded
<b>Warranty</b>	5 Years

<sup>(3)</sup>Built-in automatic control capable to be set up for dehumidification and ventilation or zoning.

### INCLUDED ITEMS

<b>Drain fitting</b>	¾" MPT x ¾" barbed
<b>10 ft. Drain tubing</b>	¾" ID
<b>Duct collars</b>	10" Round
<b>Manual</b>	Installation instruction



### ► PRINCIPLE OF OPERATION

The Anden Model A95 Dehumidifier is designed to dehumidify the air coming into the unit by passing the incoming air over an evaporator coil to drop the air temperature below the dew point of the air. Moisture is removed from the air and drained out of the unit to a common floor or waste drain. The air is then reheated in the condenser coil and exits the unit.

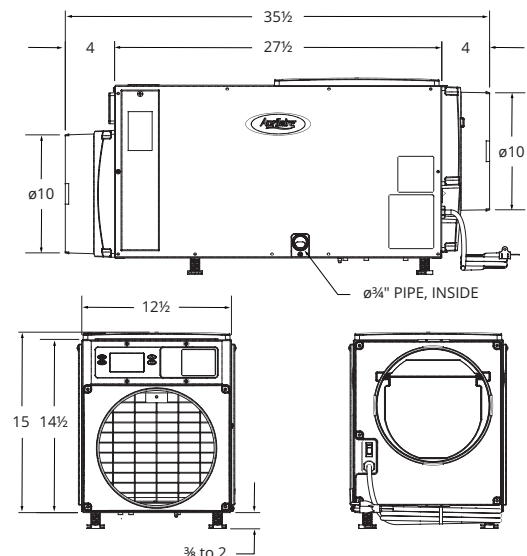
Dehumidification occurs until the set point is reached, then shuts off until periodic sampling determines a need for operation.

### ► APPLICATION

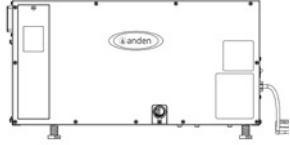
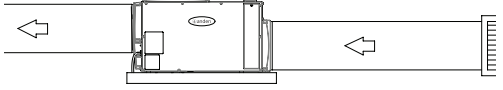
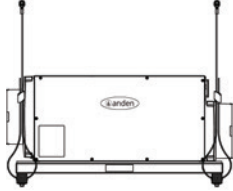
The Anden Model A95 is the perfect solution for the precise management of humidity required in an indoor growing environment.

### ► CIRCULATION

The Model A95 can also be programmed to circulate air within a grow facility. Proper air flow carries moisture away from the plants, helping to prevent fungus, disease and plant pests from damaging the crop. Circulating the air also maximizes the application of CO<sub>2</sub> in the grow facility.



# Installation Options for the Anden A95 Dehumidifier

APPLICATIONS	
<p><b>Freestanding</b></p> <ul style="list-style-type: none"> <li>Air is pulled into the dehumidifier directly from the space, dehumidified and returned to the space.</li> </ul>	
<p><b>Inlet and outlet ducted</b></p> <ul style="list-style-type: none"> <li>Ducted with 10" flex duct or hard pipe.</li> <li>Circulates air to equalize humidity, temperature and move CO<sub>2</sub>.</li> </ul>	
<p><b>Suspended</b></p> <ul style="list-style-type: none"> <li>Air is pulled into the dehumidifier directly from the space, dehumidified and returned to the space.</li> <li>The dehumidifier is mounted from the ceiling using our hanging kit (Model 5660) to save space in the facility.</li> </ul>	

## Optional Controls and Sensors

### Wi-Fi Thermostats



Anden Wi-Fi thermostats and mobile app provide humidity and temperature alerts directly to your smart phone or tablet. Control and monitor climate conditions in your grow room 24/7/365 from anywhere.



**Model A76**  
Dedicated monitoring and control of each dehumidifier at canopy height.



**Wi-Fi Model 8840**  
Easy-to-use color touch screen with all control options on the home screen.



**Wi-Fi Model 8830**  
Easy-to-use touch screen with all control options on the home screen.



**Wi-Fi Model 8820**  
Easy-to-use touch screen designed for temperature and humidity control.

### Sensor



**Model 8082 Sensor**  
Monitor temperature and humidity in multiple locations. Readings averaged to balance temperature and humidity.

### MODEL A76 SPECIFICATIONS

Electrical	
<b>Input voltage and current</b>	Voltage: 24VAC +/-20% Current: 25mA (nominal), 50mA (max.) at 24VAC
<b>Output</b>	Dry contact, normally open
Control	
<b>Control range</b>	40%-80% RH
<b>Accuracy</b>	+/-5% RH
<b>Differential</b>	3% RH
<b>Low limit</b>	40°F dew point
<b>High limit</b>	99°F dry bulb