

SPECIFICATIONS

Capacity⁽¹⁾	70 ppd	
Energy factor⁽¹⁾	2.1 L/kWh	
Airflow @ varying E.S.P. (external static pressure - dry coil)		
0.0" w.c.	200 CFM	
0.2" w.c.	170 CFM	
0.4" w.c.	140 CFM	
Current draw⁽¹⁾	5.8 Amps	
Voltage, Phase, Frequency	120VAC, 1 Phase, 60 Hz	
Noise	53 dBA ducted	58 dBA unducted
Dimensions: (cabinet only)⁽²⁾	Width: 12½" Height: 12½" Length: 25"	
Weight	56 lbs.	
Inlet air operating conditions during:		
Dehumidification:	50°F–104°F, 40°F dew point min.	
Ventilation:	40°F–140°F, 0%–99%RH (non-condensing)	

⁽¹⁾Rated capacity and energy factor test done and current draw measured in accordance with AHAM DH-1 2008 at 80°F/60%RH inlet air at 0.0 ESP. ⁽²⁾Height does not include adjustable feet. The width excludes the filter doors and length excludes the duct collars.

FEATURES

Control⁽³⁾	Built-in digital control with display
Control mounting option	Front mount only
Air discharge orientation	End of cabinet only
Inlet/Outlet duct collars	8"
Backdraft damper at outlet	No
Filter	Washable MERV 8
Refrigerant	R410A
Coil type	Aluminum
Power cord length	8 ft.
Discharge air temperature rise	10°F–30°F
Drain connection	¾" MNPT Threaded
Warranty	5 Years

⁽³⁾Built-in automatic control capable to be set up for dehumidification and ventilation or zoning.

INCLUDED ITEMS

Drain fitting	¾" MPT x ¾" barbed
10 ft. Drain tubing	¾" ID
Duct collars	8" Round
Manual	Installation instructions



PRINCIPLE OF OPERATION

The Anden Model A70 Dehumidifier is designed to dehumidify the air coming into the unit by passing the incoming air over an evaporator coil to drop the air temperature below the dew point of the air. Moisture is removed from the air and drained out of the unit to a common floor or waste drain. The air is then reheated in the condenser coil and exits the unit.

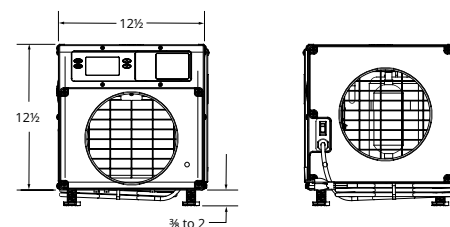
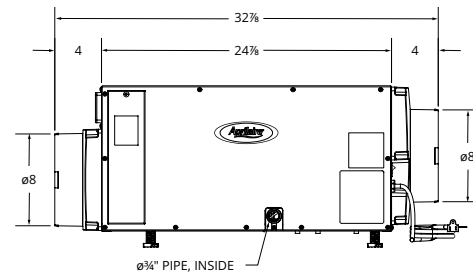
Dehumidification occurs until the set point is reached, then shuts off until periodic sampling determines a need for operation.

APPLICATION

The Anden Model A70 Dehumidifier is the perfect solution for the precise management of humidity required in an indoor growing environment.

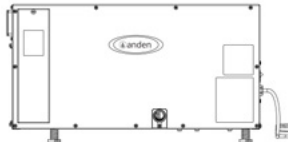
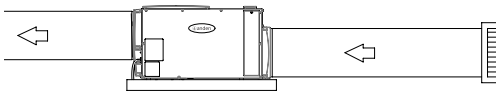
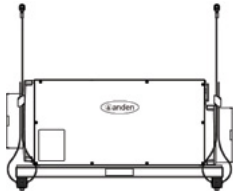
CIRCULATION

The Model A70 can also be programmed to circulate air within a grow facility. Proper air flow carries moisture away from the plants, helping to prevent fungus, disease and plant pests from damaging the crop. Circulating the air also maximizes the application of CO₂ in the grow facility.



Installation Options for the Anden A70 Dehumidifier

APPLICATIONS

<p>Freestanding</p> <ul style="list-style-type: none"> • Air is pulled into the dehumidifier directly from the space, dehumidified and returned to the space. 	
<p>Inlet and outlet ducted</p> <ul style="list-style-type: none"> • Ducted with 8" flex duct or hard pipe. • Circulates air to equalize humidity, temperature and move CO₂. 	
<p>Suspended</p> <ul style="list-style-type: none"> • Air is pulled into the dehumidifier directly from the space, dehumidified and returned to the space. • The dehumidifier is mounted from the ceiling using our hanging kit (Model 5660) to save space in the facility. 	

Optional Controls and Sensors

Wi-Fi Thermostats



Anden Wi-Fi thermostats and mobile app provide humidity and temperature alerts directly to your smart phone or tablet. Control and monitor climate conditions in your grow room 24/7/365 from anywhere.



Model A76
Dedicated monitoring and control of each dehumidifier at canopy height.



Wi-Fi Model 8840
Easy-to-use color touch screen with all control options on the home screen.



Wi-Fi Model 8830
Easy-to-use touch screen with all control options on the home screen.



Wi-Fi Model 8820
Easy-to-use touch screen designed for temperature and humidity control.

Sensor



Model 8082 Sensor
Monitor temperature and humidity in multiple locations. Readings averaged to balance temperature and humidity.

MODEL A76 SPECIFICATIONS

Electrical

Input voltage and current Voltage: 24VAC +/-20% Current: 25mA (nominal), 50mA (max.) at 24VAC

Output Dry contact, normally open

Control

Control range 40%–80% RH

Accuracy +/-5% RH

Differential 3% RH

Low limit 40°F dew point

High limit 99°F dry bulb