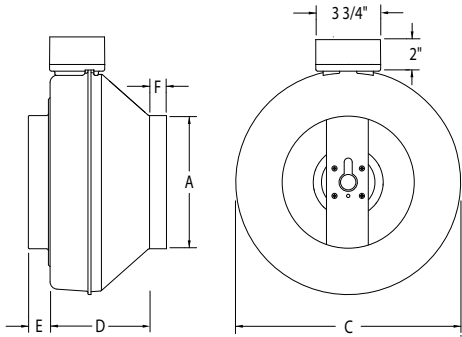


FG Series

Inline Centrifugal Fans



STANDARD FEATURES

- Airtight galvanized steel housing
- Powered by external rotor motorized impeller
- Built-in thermal overload protection
- 100% speed controlled
- Can be installed in any positions and outdoor
- Mounting bracket and hardware included
- Five-year factory warranty

Model	A	C	D	E	F	Metal Gauge	Weight	Energy Star
FG 4	4	8 1/2	6 1/2	1	1	22	7	•
FG 4XL	4	9 3/4	6 15/16	1	1	22	8	
FG 5	5	8 5/8	6 1/2	1	1	22	7	•
FG 5XL	5	9 3/4	6	1 1/8	1 1/8	22	8	
FG 6	6	11 3/8	6 1/4	1	7/8	22	10	•
FG 6M / FG 6XL	6	13 1/8	7	1	1	22	12	•
FG 8	8	13 1/4	6	1	1	22	12	•
FG 8XL	8	13 1/4	6	1 1/8	1	22	13	•
FG 10	10	13 1/4	4 3/4	1 1/8	1	22	12	•
FG 10XL	10	13 1/4	4 13/16	1 1/4	1	22	14	•
FG 12	12	16	6 11/16	1 1/4	1	22	18	•
FG 12XL	12	16	6 11/16	1 1/2	1	22	21	•

All dimensions in inches. Weights in pounds.



Fantech Inc. certifies that the FG Series shown herein is licensed to bear the AMCA Seal. The ratings shown are based on tests and procedures performed in accordance with AMCA Publication 211 and comply with the requirements of the AMCA Certified Ratings Program.

Fan Specifications							Motor Specifications				
Line	Qty	Model No.	Tag	CFM	SP	Fan RPM	Watts	Volts	Phase	Hertz	Encl
1											
2					0						
3											

Accessory Items	1	2	3	4	Accessory Items	1	2	3	4
<input type="checkbox"/>					<input type="checkbox"/>				
<input type="checkbox"/>					<input type="checkbox"/>				
<input type="checkbox"/>					<input type="checkbox"/>				
<input type="checkbox"/>					<input type="checkbox"/>				

Project: _____ Submitted: _____
 Customer: _____ Approved: _____
 Location: _____

United States 10048 Industrial Blvd. • Lenexa, KS 66061 • 1.800.747.1762 • www.fantech.net
 Canada 50 Kanalfakt Way • Bouctouche, NB E4S 3M5 • 1.800.565.3548 • www.fantech.ca

Fantech reserves the right to make technical changes.
 For updated documentation please refer to www.fantech.net

